

HIGHLY FLEXIBLE AND ECONOMICALLY PRICED

coralusa.com

US

# Dynaflex

Fully flexible welding fume extraction arms



## Dynaflex

Dynaflex **wall-mounted**  
Dynaflex **cart-mounted**



Innovative Air Solutions  
For a cleaner future.

# Design

The Coral DYNAFLEX extraction arm offers a practical and cost-effective solution for welding fume capture. Its robust metal frame, securely bolted together, supports the entire structure and ensures smooth maneuverability. A double rotary bearing allows full 360° hood rotation and reliable connection at the base, whether mounted to a wall bracket or a portable extraction unit. The PVC-coated flexible hose provides durability and long service life, making the DYNAFLEX a dependable choice for everyday industrial use.

**Dynaflex**

---

6

Models

## Highlights

- **Flexible PVC hose** (NO SMOKE FLEX) for durability and ease of use.

— **Quick assembly** and **low-maintenance** design.

— **Ergonomic polypropylene WINGHOOD®** flanged hood, improving suction efficiency by up to 30%.
- **Integrated adjustable damper** for airflow control and energy saving.

— Smooth **maneuverability**, designed for **light-duty welding** applications.

— **Compatible with** CLEANGO and JETCLEAN DF portable fume extractors.

## Applications



Welding fumes

## Product range



### Dynaflex

Wall-mounted version  
Optional wall bracket

Diameter (inches)	Length (feet)
Ø6.3	7   10   14



### Dynaflex

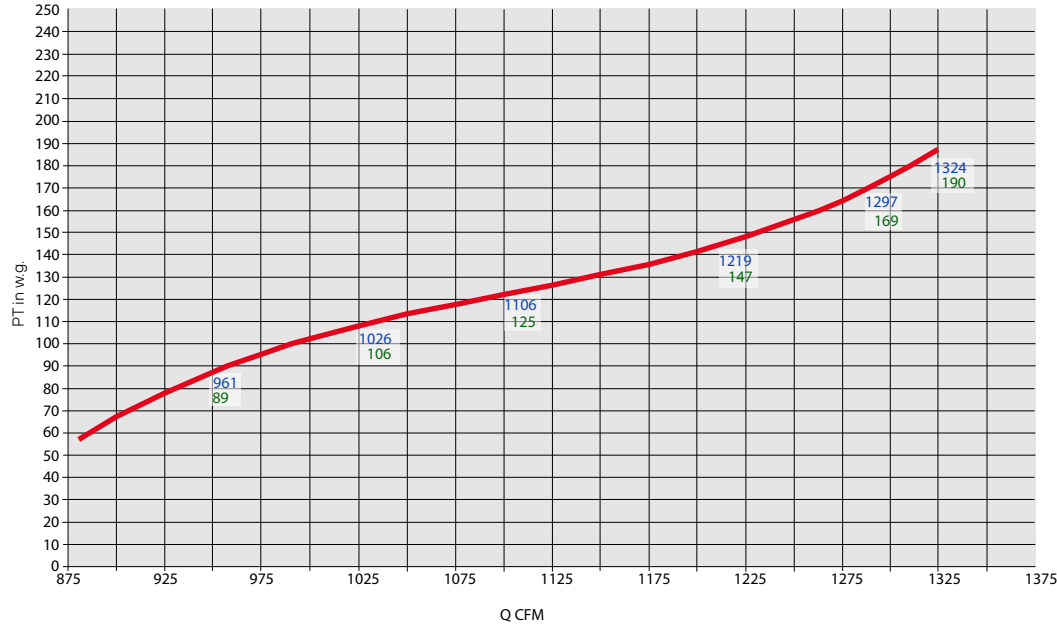
Cart-mounted version

Diameter (inches)	Length (feet)
Ø6.3	7   10   14

# Technical features

## Pressure losses referred to the extended Dynaflex arm

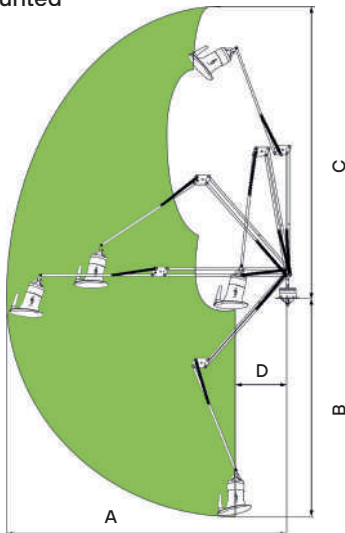
The selection of the suction device is based on the pressure loss values (total pressure - TP, in in. w.g.) in relation to the arm airflow rate (Q, CFM), as shown in the diagram.



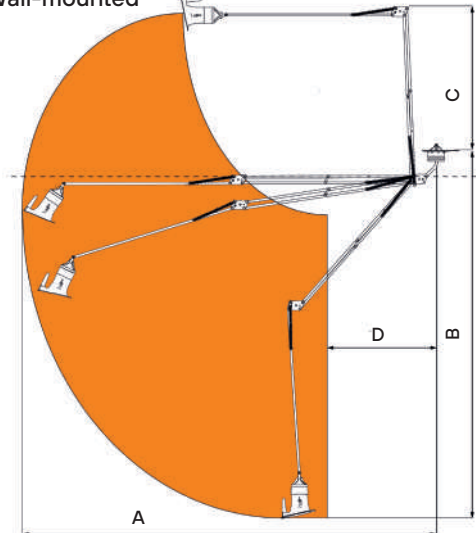
Air-flow CFM	Total Pressure in w.g.
559.2	3.5
603.3	4.3
647.5	5.0
718.1	5.8
765.2	6.7
779.9	7.5

## Overall dimensions

Cart-mounted



Wall-mounted



	DIMENSIONS (inches)					
	Cart-mounted version			Wall-mounted version		
	Ø6.3" 7'	Ø6.3" 10'	Ø6.3" 14'	Ø6.3" 7'	Ø6.3" 10'	Ø6.3" 14'
A	68.9	108.3	147.7	99.5	118.1	157.5
B	45.3	84.6	124.0	81.3	98.4	137.8
C	70.8	110.2	149.6	33.9	35.4	55.1
D	19.6	19.6	19.6	27.6	39.3	39.3

All images and values on this catalogue are indicative and can be subject to modification and improvements. CORAL USA reserves the right to change them without previous advice.



# Coral USA

Coral USA provides innovative fume extraction and dust collection solutions for industrial applications. With decades of experience, Coral combines technical expertise, reliable performance, and a strong commitment to helping you maintain a safer, cleaner, and more productive workplace.

Based in Texas, we're ready to support your business with advanced solutions, responsive service, and ready-to-ship inventory.



**CORAL USA CORP.**  
19121 Marketplace Avenue, Bldg. 1 Suite 165  
KYLE, TX 78640,  
USA

---

p.: +1 480 796 5352  
e.: [info@coralusa.com](mailto:info@coralusa.com)

**[coralusa.com](http://coralusa.com)**



For a cleaner future